

Stainless steel differential pressure gauge

Model F5509 and F6509

Max. static pressure 25 bar

Nominal size 100 mm or 160 mm

Accuracy: Class 2,5 (EN), optional class 1,6

Features

- Stainless steel case and wetted parts
- Static pressure 10 bar or 25 bar
- Protection IP54 or IP65
- Chamber purge and bleed connection available
- High corrosive resistance
- Dry or liquid filled
- Optional solid front

Ranges

0 ... 25 mbar up to 0 ... 250 mbar (max. static pressure 10 bar)

0 ... 400 mbar up to 0 ... 25 bar (max. static pressure 25 bar)

Applications

Chemical and petrochemical industry

Machine and apparatus construction

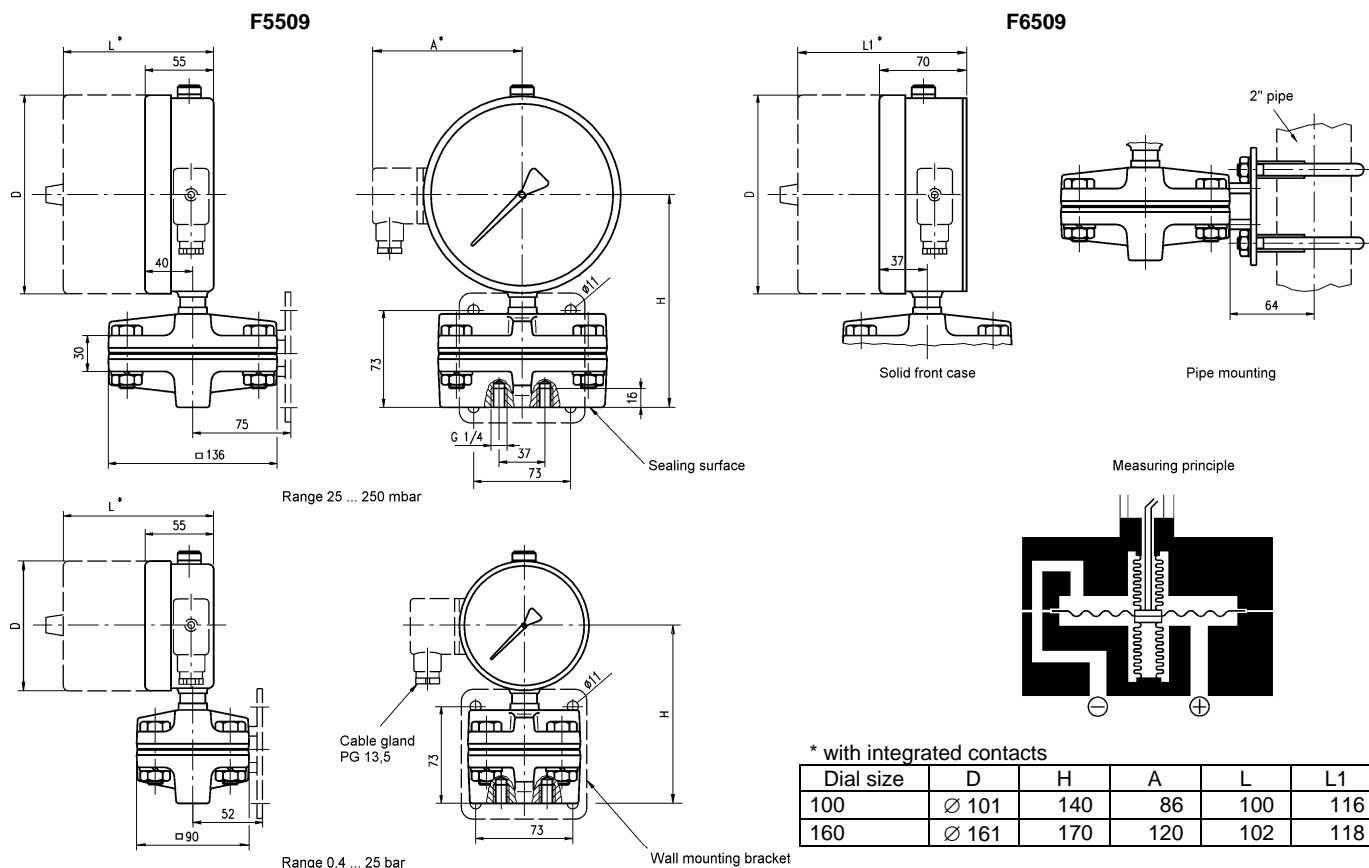
Food and beverage industry

Pulp and paper industry



Technical specification	F5509		F6509	
	100	160	100	160
Dial size [mm]				
Construction	Open front cylindrical case with blow out disc at the back		Solid front safety pattern cylindrical case with blow out at the back	
Zero adjustment	Externally, at the top of the case			
Measuring principle	Diaphragm (see back side)			
Range [mbar]	25	40	60	100
[bar]	0,6	1	1,6	2,5
Max. static pressure	160	250	400	
Pressure type	Differential			
Process connection	G ¼ B male, G ¼ female, G ½ B male, G ½ female ¼ NPT male, ¼ NPT female, ½ NPT male, ½ NPT female, others on request			
Connection location	Lower			
Material				
Pressure connection	Stainless steel 316Ti (1.4571)			
Pressure chamber	Stainless steel 316Ti (1.4571), Viton O-ring, EPDM on request			
Measuring diaphragm	> 1 bar stainless steel 316Ti (1.4571) ≤ 1 bar Duratherm (NiCrCo alloy)			
Bellows	Stainless steel 316Ti (1.4571)			
Case/bayonet ring	Stainless steel 304 (1.4301)			
Window	Laminated safety glass			
Dial	Aluminum, black markings on white background			
Pointer	Aluminum, black, optional red set hand or maximum pointer			
Movement	Stainless steel 304/303 (1.4301/1.4305)			
Accuracy	Class 2,5 (2,5 % F.S.), optional (for ranges ≥ 60 mbar) class 1,6 (1,6 % F.S.)			
Permissible				
Ambient temperature	-25 ... 85 °C			
Medium temperature	Max. 100 °C			
Storage temperature	-40 ... 60 °C			
Effect	Max. 0,3 % / 10 K			
Protection according EN 60 529/IEC 529	IP54 (dry), IP65 (liquid filled), optional IP65 for dry gauges			
Filling liquids	Glycerin, silicone, others on request			
Mounting	Direct, optional wall or 2" pipe mounting, others on request			
Weight dry/filled [kg]	range	≤ 400 mbar 9/9,5 ≥ 600 mbar 4/4,5	≤ 400 mbar 9,4/10 ≥ 600 mbar 4,4/5	≤ 400 mbar 9/9,5 ≥ 600 mbar 4/4,5
Accessories, options	3 or 5 way manifolds, valves, gauges with contacts (see data sheet G1.K55/D)			

General dimensions [mm]



Rev. C

Order information

Size	Type	System material	Execution	Process connection	Connection orientation	Range	Engineering units	Filling/contacts	Options
(100) 100 mm	F5509	(S) Pressure compartment 316Ti (1.4571) Diaphragm > 1 bar 316Ti (1.4571), ≤ 1 bar Duratherm Bellows 316Ti (1.4571)	(=) IP54 standard case	(27) G ¼ female	(L) Lower	0/ 25 0/ 40 0/ 60 0/ 100 0/ 160 0/ 250 0/ 400	MBAR	(=) Standard no filling	(NH) Tagging wired
(160) 160 mm	F6509		(L) Liquid filled IP65	(02) ¼ NPT male		0/ 0,6 0/ 1 0/ 1,6 0/ 2,5 0/ 4 0/ 6 0/ 10 0/ 16 0/ 25		(GV) Silicone	(DA) Dial marking
				(04) ½ NPT male				(GR) Glycerin	(FW) Wall mounting bracket
				(13) G ¼ B male				() Contact type and function (see data sheet G1.K55/E)	(EP) Maximum pointer adjustable
				(15) G ½ B male					(TM) 2" pipe mounting bracket
				(25) ¼ NPT female					(LJ) Field fillable IP65 (only for execution "=")
				(50) ½ NPT female					
				(51) G ½ female					
								max. static pressure for < 400 mbar 10 bar for ≥ 400 mbar 25 bar	
								psi and others on request compound ranges on re- quest	

How to order

Size	Type	System material	Execution	Process connection	Connection orientation	Range	Engineering unit	Filling/contacts	Option
100	F5509	S	L	27	L	0/16	BAR	GV	TM

Ashcroft Instruments GmbH

Germany
Max-Planck-Str. 1, D-52499 Baesweiler
P.O. Box 11 20, D-52490 Baesweiler
Tel.: +49 (0) 2401 808-0, Fax: +49 (0) 2401 808-125

France
„206“ ZA Le Mandinet Rue des Campanules
F-77185 Lognes
Tel.: +33 (0) 1 60 37 25 30, Fax: +33 (0) 1 60 37 25 39

Website: www.ashcrofteurope.com

e-Mail: sales@ashcrofteurope.com

United Kingdom

Unit 5 William James House
Cowley Road, Cambridge CB4 0WX
Tel.: +44 (0) 12 23 39 55 00, Fax: +44 (0) 12 23 39 55 01