

## Low pressure bellows gauge, solid front Model 1187, 1188 and 1189

According ASME B40.1  
Nominal size 4 ½ and 6 inch  
Accuracy: Grade A (2-1-2 %)

### Features

- Rugged construction
- Protection IP54
- High sensitivity
- Phenolic or Aluminum case
- Bellows-actuated mechanism
- Measuring system brass, stainless steel or Monel



### Ranges

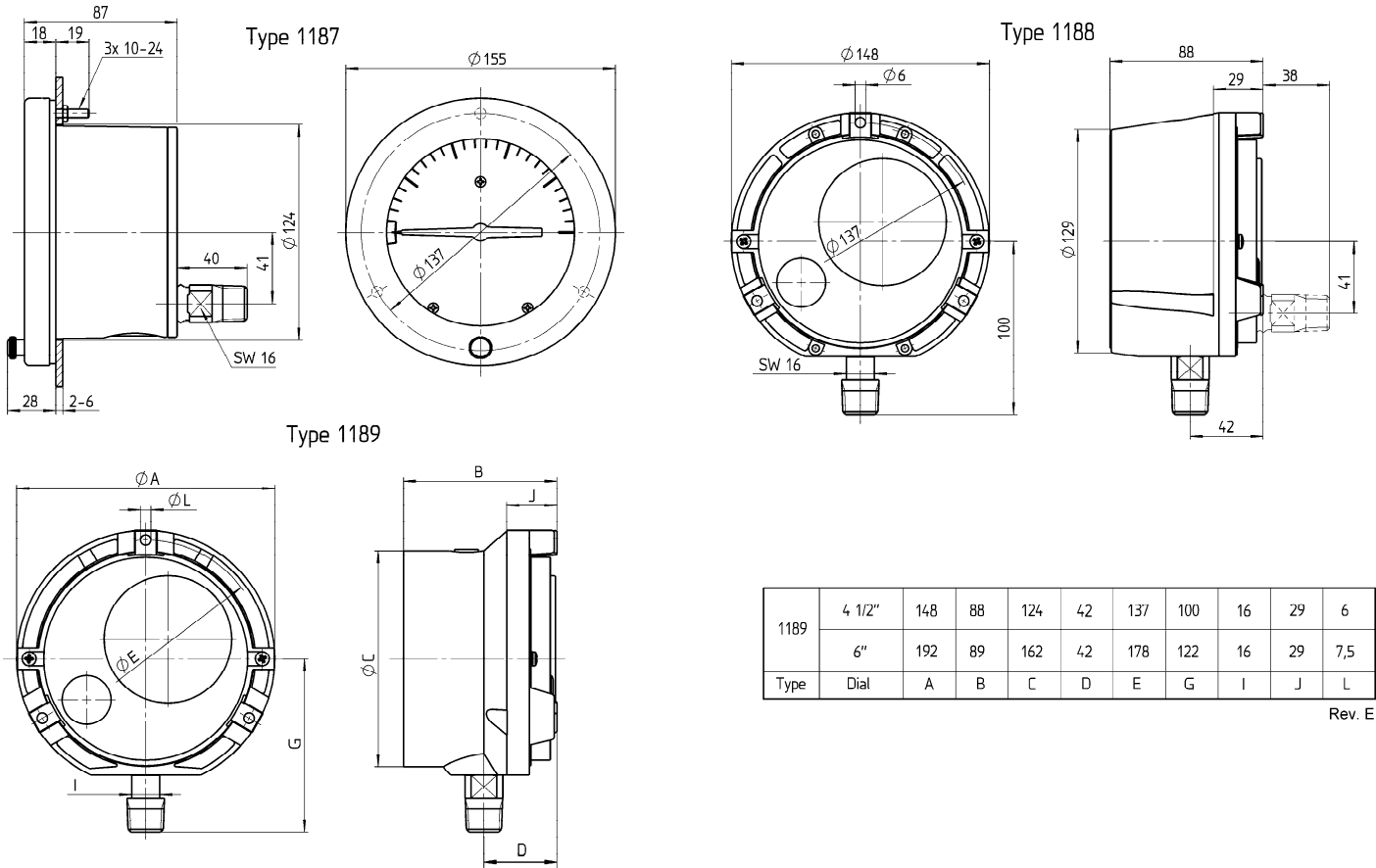
-25 ... 0 mbar up to 0 ... 600 mbar  
-10 ... 0 in. H<sub>2</sub>O up to 0 ... 10 psi

### Applications

Chemical and petrochemical industry  
Machine and apparatus construction  
Air handling and packing systems

Technical specification	1188	1189	1187
Dial size [inch]	4 ½	4 ½      6	4 ½
Construction housing ring	Solid front safety pattern with blow out at the back Threaded             Threaded             Hinged		
Measuring principle Range [mbar]	Bellows-actuated mechanism 25    40    60    100    160    250    400    600    -25    -40    -60    -100    -160    -250    -400    -600 ±12,5   ±20   ±30   ±50   ±80   ±125   ±200   ±300		
Overpressure limit Pressure type	F.S., short time Gauge, vacuum and compound		
Process connection	¼ NPT male (standard), ½ NPT male according ANSI/ASME B1.20.1/EN 837-1 Metric connections with adapter G ¼ B male, G ½ B male according EN 837-1, M20x1,5 male Others on request		
Connection location	Lower, back	Lower	Back
Material Pressure connection Bellows Case Ring Window Dial Pointer Movement	Brass, stainless steel 316 (1.4401) or Monel Brass, stainless steel 316 (1.4401) or Monel Phenolic             Aluminum             Aluminum Polypropylene             Polypropylene             Steel enamel coated Instrument glass, optional laminated safety glass or acrylic glass Aluminum, black markings on white background Aluminum, black Series 400 stainless steel		
Accuracy	Grade A (2-1-2 % F.S.)		
Permissible Ambient temperature Medium temperature Storage temperature Effect	-15 ... 60 °C Max. 120 °C -40 ... 65 °C Max. 0,3 % / 10 K		
Protection according EN 60 529/IEC 529	IP54		
Mounting	Stem, surface, optional flush		Stem, flush
Weight [kg]	1,1	1,1      1,4	1,1
Accessories, options	Diaphragm seals, valves		

## General dimensions [mm]



## Order information

Size	Type	System material	Execution	Process connection	Connection orientation	Range	Engineering units	Options	
(45) 4 1/2 inch (115 mm)	1187	(A) Brass	(S) Standard IP54	(02) 1/4 NPT male	(L) Lower (not for type 1187)	-25/ 0	MBAR	(NH) Tagging wired	
	1188	(S) 316 (1.4401)				(04) 1/2 NPT male			-40/ 0
(60) 6 inch (150 mm) (not for type 1187 and 1188)	1189	(P) Monel 400			(B) Back (not for type 1189)	-60/ 0		(SG) Safety glass	
						Metric connections with adapter			-100/ 0
						(13) G 1/4 B male			-160/ 0
						(15) G 1/2 B male			-250/ 0
						(16) M20x1,5 male			-400/ 0
									-600/ 0
									0/ 25
									0/ 40
									0/ 60
									0/ 100
	0/ 160								
	0/ 250								
	0/ 400								
	0/ 600								
		-12,5/ 12,5	in. H <sub>2</sub> O and others on request						
		-20/ 20							
		-30/ 30							
		-50/ 50							
		-80/ 80							
		-125/ 125							
		-200/ 200							
		-300/ 300							
		others on request							

## How to order

Size	Type	System material	Execution	Process connection	Connection orientation	Range	Engineering unit	Option
45	1188	S	S	02	L	0/25	MBAR	NH

## Ashcroft Instruments GmbH

Germany  
Max-Planck-Str. 1, D-52499 Baesweiler  
P.O. Box 11 20, D-52490 Baesweiler  
Tel.: +49 (0) 2401 808-0, Fax: +49 (0) 2401 808-125

France  
„206“ ZA Le Mandinet Rue des Campanules  
F-77185 Lognes  
Tel.: +33 (0) 1 60 37 25 30, Fax: +33 (0) 1 60 37 25 39

Website: [www.ashcrofteurope.com](http://www.ashcrofteurope.com)

e-Mail: [sales@ashcrofteurope.com](mailto:sales@ashcrofteurope.com)

United Kingdom  
Unit 5 William James House  
Cowley Road, Cambridge CB4 0WX  
Tel.: +44 (0) 12 23 39 55 00, Fax: +44 (0) 12 23 39 55 01