

Capsule type pressure gauge

Model N5500

According EN 837-3
 Nominal size 100 mm or 160 mm
 Accuracy: Class 1,6

Features

- Stainless steel construction
- Suitable for corrosive environments
- Usable to full scale
- Overload protection up to 10 times F.S.
- Adjustment at back side of the case

Ranges

-6 ... 0 mbar up to 0 ... 400 mbar
 -2,5 ... 0 in. H₂O up to 0 ... 150 in. H₂O

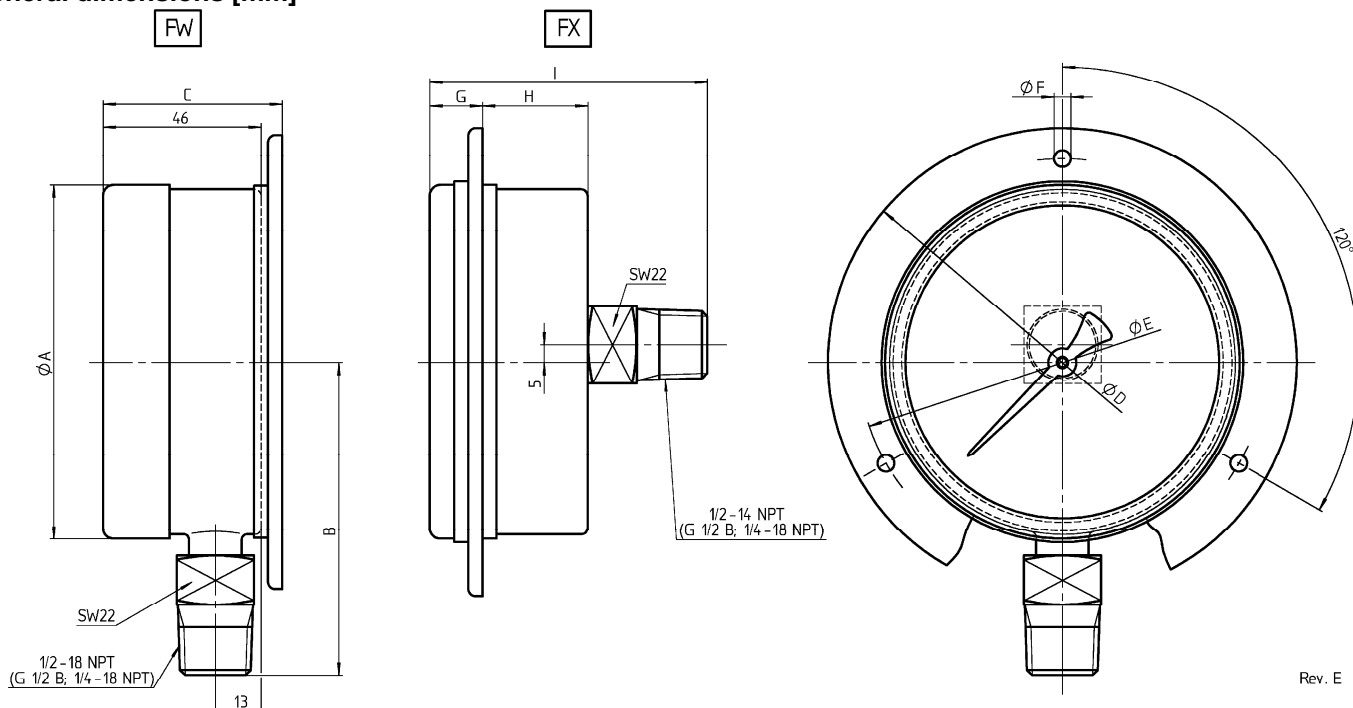
Applications

Chemical and petrochemical industry
 Air conditioning
 Food and beverage industry
 Machine and apparatus construction



Technical specification	N5500																									
	100	160																								
Dial size [mm]	100	160																								
Construction	Open front cylindrical case, optional with blow out disc at the back																									
Zero adjustment	Externally, at the back side of the case																									
Measuring principle	Capsule																									
Range [mbar]	<table style="display: inline-table; border-collapse: collapse;"> <tr> <td style="border-right: 1px solid black; padding: 0 5px;">6</td> <td style="padding: 0 5px;">10</td> <td style="padding: 0 5px;">16</td> <td style="padding: 0 5px;">-6/0</td> <td style="padding: 0 5px;">-10/0</td> <td style="padding: 0 5px;">-16/0</td> </tr> <tr> <td style="border-right: 1px solid black; padding: 0 5px;">25</td> <td style="padding: 0 5px;">40</td> <td style="padding: 0 5px;">60</td> <td style="padding: 0 5px;">100</td> <td style="padding: 0 5px;">160</td> <td style="padding: 0 5px;">250</td> </tr> <tr> <td style="border-right: 1px solid black; padding: 0 5px;">400</td> <td style="padding: 0 5px;">-25/0</td> <td style="padding: 0 5px;">-40/0</td> <td style="padding: 0 5px;">-60/0</td> <td style="padding: 0 5px;">-100/0</td> <td style="padding: 0 5px;">-160/0</td> </tr> <tr> <td style="border-right: 1px solid black; padding: 0 5px;"></td> <td style="padding: 0 5px;">-250/0</td> <td style="padding: 0 5px;">-400/0</td> <td colspan="3"></td> </tr> </table>		6	10	16	-6/0	-10/0	-16/0	25	40	60	100	160	250	400	-25/0	-40/0	-60/0	-100/0	-160/0		-250/0	-400/0			
6	10	16	-6/0	-10/0	-16/0																					
25	40	60	100	160	250																					
400	-25/0	-40/0	-60/0	-100/0	-160/0																					
	-250/0	-400/0																								
Overpressure limit	Continues service up to maximum rating, alternating service up to 90 % F.S. Optional overrange protected up to 10 times F.S. (max. 2 bar)																									
Pressure type	Gauge, vacuum and compound																									
Process connection	G ¼ B male, G ½ B male, M20x1,5 male ¼ NPT male, ½ NPT male, according ANSI/ASME B1.20.1/EN 837 Others on request																									
Connection location	Lower, back																									
Material	Pressure connection: Stainless steel 316Ti (1.4571) Capsule: Stainless steel 316 (1.4401) Case/bayonet ring: Stainless steel 304 (1.4301), optional 316 (1.4401) Window: Instrument glass, optional laminated safety glass or acrylic glass Dial: Aluminum, black markings on white background Pointer: Aluminum, black, optional red set hand or maximum pointer Movement: Nickel plated brass																									
Accuracy	Class 1,6 (1,6 % F.S.)																									
Permissible	Ambient temperature: -25 ... 60 °C Medium temperature: max. 100 °C Storage temperature: -40 ... 60 °C Effect: max. 0,5 % / 10 K																									
Protection according EN 60 529/IEC 529	IP45																									
Mounting	Standard stem, optional flush or surface, others on request																									
Weight [kg]	0,8	1,2																								
Accessories, options	Valves, pressure limiters																									

General dimensions [mm]



	Range	A	B	C	D	E	F	G	H	I
NG100		102	88	51	132	116	5,5	14	37	75
NG160	< 25 mbar	162	119	51	196	178	6,5	15	32	85
	≥ 25 mbar	162	119	61	196	178	6,5	15	32	85

Rev. E

Order information

Size	System material	Process connection	Connection orientation	Range	Engineering units	Case material	Options
(100) 100 mm	(S) Capsule 316 (1.4401) connection	(02) ¼ NPT male	(L) Lower	-6/ 0 ¹⁾	(MBAR)	(⇒) Standard	(NH) Tagging wired
				-10/ 0 ¹⁾			
(160) 160 mm	(S) Capsule 316Ti (1.4571)	(04) ½ NPT male	(B) Back	-16/ 0 ¹⁾	(YW) Case material 316 (1.4401)	(CS) Dual scale	(DA) Dial marking
				-25/ 0			
				-40/ 0			
				-60/ 0			
				-100/ 0			
				-160/ 0			
				-250/ 0			
				-400/ 0			
				0/ 6 ¹⁾			
				0/ 10 ¹⁾			
0/ 16 ¹⁾							
0/ 25	(HP) Overpressure load 10 times (max. 2 bar)	(EP) Maximum pointer adjustable	(SH) Red set hand stationary	(FW) Back flange	(FX) Front flange (only back connection)		
0/ 40							
0/ 60							
0/ 100							
0/ 160							
0/ 250							
0/ 400							
1) only size 160 mm						psi and others on request	

How to order

Size	Type	System material	Process connection	Connection orientation	Range	Engineering unit	Case material	Option
160	N5500	S	15	L	0/6	MBAR	=	NH

Ashcroft Instruments GmbH

Germany
Max-Planck-Str. 1, D-52499 Baesweiler
P.O. Box 11 20, D-52490 Baesweiler
Tel.: +49 (0) 2401 808-0, Fax: +49 (0) 2401 808-125

France
„206“ ZA Le Mandinet Rue des Campanules
F-77185 Lognes
Tel.: +33 (0) 1 60 37 25 30, Fax: +33 (0) 1 60 37 25 39

Website: www.ashcrofteurope.com

e-Mail: sales@ashcrofteurope.com

United Kingdom
Unit 5 William James House
Cowley Road, Cambridge CB4 0WX
Tel.: +44 (0) 12 23 39 55 00, Fax: +44 (0) 12 23 39 55 01