

# Stainless steel differential pressure gauge

## Model F5502

### Max. static pressure 25 bar

Nominal size 100 mm or 160 mm

Accuracy: Class 2,5 (EN), optional class 1,6

#### Features

- Stainless steel case and wetted parts
- Static pressure 25 bar, one side load permitted
- Protection IP65
- High corrosive resistance
- Dry or liquid filled
- Optional 1 or 2 microswitch SPDT

#### Ranges

0 ... 0,6 bar up to 0 ... 16 bar

#### Applications

Chemical and petrochemical industry

Machine and apparatus construction

Food and beverage industry

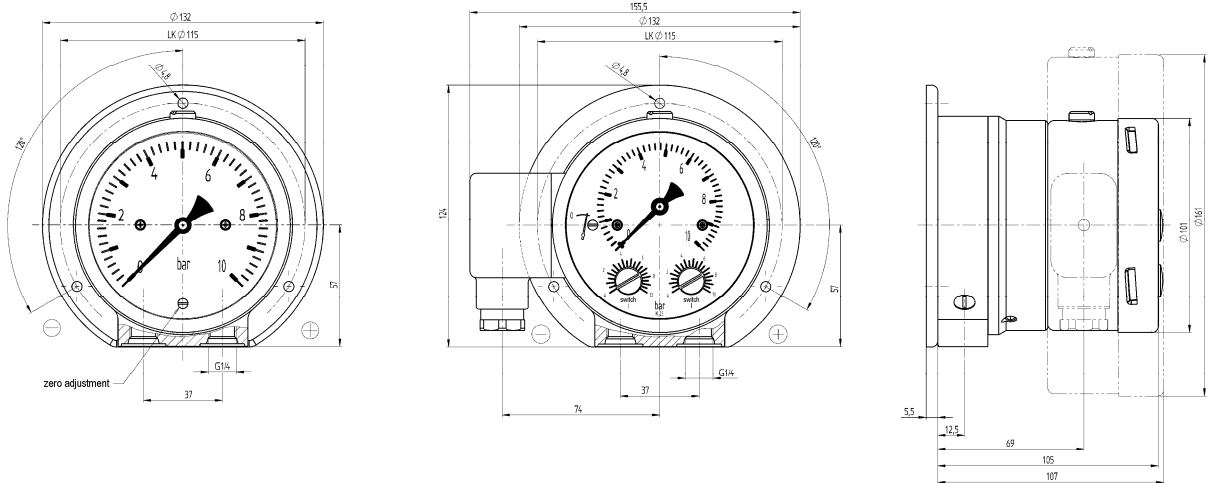
Pulp and paper industry



Technical specification	F5502	
Dial size [mm]	100	160
Construction	Cylindrical case	
Zero adjustment	Internally, accessible if window is removed	
Measuring principle	Diaphragm (see rear side), safety design, solid front not required	
Range [bar]	0,6 1 1,6 2,5 4 6 10 16	
max. static pressure [bar]	25	
Overload capability	Static pressure is also maximum pressure allowed on one side	
Pressure type	Differential	
Process connection	G ¼ B male, G ¼ female, G ½ B male, G ½ female ¼ NPT male, ¼ NPT female, ½ NPT male, ½ NPT female, others on request	
Connection location	Lower	
Material		
Pressure connection	Stainless steel 316L (1.4404)	
Pressure chamber	Stainless steel 316L (1.4404), FPM O-ring	
Measuring membrane	Nickel Beryllium (NiBe)	
Case/bayonet ring	Stainless steel 304 (1.4301), optional 316 (1.4401)	
Window	Laminated safety glass	
Dial	Aluminum, black markings on white background	
Pointer	Aluminum, black, optional red set hand or maximum pointer	
Accuracy	Class 2,5 (2,5 % F.S.), optional class 1,6 (1,6 %)	
Electrical specification		
Microswitch rating	5 A 250 VAC (P max. 250 VA); 3 A 28 VDC	
Connection	Cable prewired, angle connector acc. DIN EN 175301-803	
Switch Hysteresis	Approx. 2,5 %	
Permissible		
Ambient temperature	-20 ... 80 °C	
Medium temperature	Max. 100 °C	
Storage temperature	-40 ... 60 °C	
Effect	Max. 0,3 % / 10 K	
Protection according EN 60 529/IEC 529	IP65	
CE-Mark	For instruments with electrical contacts low voltage regulations EN 61010-1, EN 60947-1	
Filling liquids	Glycerin, silicone, others on request	
Mounting	Wall mounting, optional 2" pipe mounting, others on request	
Weight dry/filled [kg]	3,6/3,8	3,8/4,2
Accessories, options	3 or 5 way remote or direct mounted manifolds, valves, gauges with 1 or 2 microswitch SPDT	

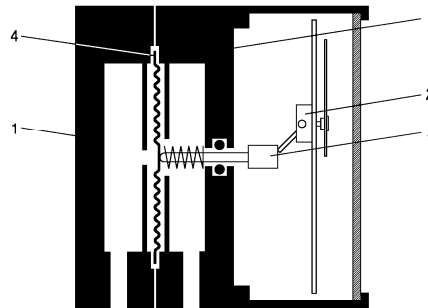
All specifications are subject to change without notice.

## General dimensions [mm]



Rev. C

## Measuring principle



- 1 Pressure chamber
- 2 Movement
- 3 Push rod
- 4 Diaphragm

## Order information

Size	System material	Execution	Process connection	Connection orientation	Range	Engineering units	Filling/contacts	Options
(100) 100 mm	(S) Pressure chamber 316L (1.4404) diaphragm Nickel-Beryllium (NiBe)	(=) IP65 standard case	(02) ¼ NPT male	(L) Lower	0/ 0,6 0/ 1 0/ 1,6 0/ 2,5 0/ 4 0/ 6 0/ 10 0/ 16	BAR  psi and others on request  compound ranges on re- quest	(=) Standard no filling	(NH) Tagging wired
(160) 160 mm		(L) Liquid filled	(04) ½ NPT male  (13) G ¼ B male  (15) G ½ B male  (25) ¼ NPT female  (27) G ¼ female  (50) ½ NPT female				(GR) Glycerin (not for mi- croswitch)  (GV) Silicone  (GX) Halocarbon (not for mi- croswitch)  (NV) Napvis  (Q3) 1 micro- switch SPDT  (Q33) 2 micro- switch SPDT	(6B) Oxygen service  (CS) Dual scale  (DA) Dial marking  (TM) 2" pipe mount- ing bracket  (LJ) Field fillable  (YW) Case material 316 (1.4401)

## How to order

Size	Type	System material	Execution	Process connection	Connection orientation	Range	Engineering unit	Filling/contacts	Option
100	F5502	S	=	27	L	0/6	BAR	=	NH

## Ashcroft Instruments GmbH

Germany  
Max-Planck-Str. 1, D-52499 Baesweiler  
P.O. Box 11 20, D-52490 Baesweiler  
Tel.: +49 (0) 2401 808-0, Fax: +49 (0) 2401 808-125

France  
„206“ ZA Le Mandinet Rue des Campanules  
F-77185 Lognes  
Tel.: +33 (0) 1 60 37 25 30, Fax: +33 (0) 1 60 37 25 39

Website: [www.ashcrofteurope.com](http://www.ashcrofteurope.com) e-Mail: [sales@ashcrofteurope.com](mailto:sales@ashcrofteurope.com)

United Kingdom  
Unit 5 William James House  
Cowley Road, Cambridge CB4 0WX  
Tel.: +44 (0) 12 23 39 55 00, Fax: +44 (0) 12 23 39 55 01