

# Duratemp thermometers

## Model 600A, 600B and 600H

Nominal size 4 ½ and 6 inch

Accuracy: 1 %

### Features

- Molecular sieve system, low internal pressure
- Extreme shock and vibration resistance, similar MIL-T-19646
- Unique direct driven bourdon tube, silicone damped
- Low ambient temperature error
- Overload protection 125 % F.S.

### Ranges

-200 ... 100 °C up to 200 ... 650 °C

-320 ... 200 °F up to 400 ... 1200 °F

### Applications

Chemical and petrochemical industry

Machine and apparatus construction

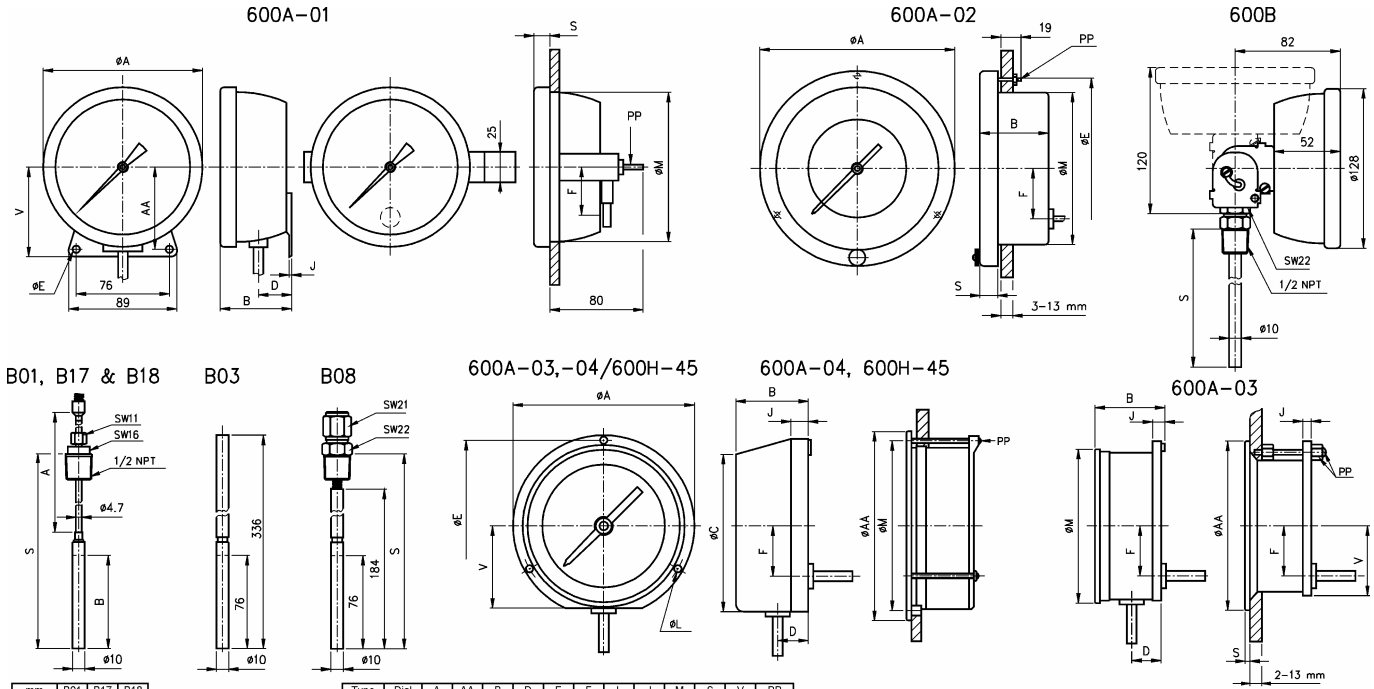
Navy and marine

Pulp and paper industry



Technical specification	600A				600H	600B		
	01	02	03	04	45			
Case style								
Dial size [inch]	4 ½	4 ½	6	4 ½	6	4 ½		
Remote/direct mounted	Remote with capillary					Direct, rigid stem		
Construction housing ring	Open front Bayonet	Hinged	Threaded	Snap ring	Solid front Threaded	Open front Bayonet		
Measuring principle	Molecular sieve gas/activated carbon							
Range [°C]	-200/100	-80/40	-40/80	0/120	10/150	0/300	0/400	200/650
[°F]	-320/200	-100/100	-40/180	20/240	50/300	50/550	50/750	400/1200
Overtemperature limit	Minimum 125 % F.S., others consult factory							
Sensitive length	3" (76 mm)							
Stem length	12" (304 mm) (B01), 13 ¼" (336 mm) (B03), 18" (457 mm) (B17), 24" (609 mm) (B18)					6", 9", 12", 15"		
Capillary length	5' (1.5 m), 10' (3 m), 20' (6 m), 30' (9 m), 50' (15 m), 80' (24 m), others on request							
Process connection	Plain bulb with rigid extension (B03) ½ NPT male union on stem or capillary (B08) Bendable extension with ½ NPT male union, length 12" (B01), 18" (B17), 24" (B18)					½ NPT male fixed		
Connection orientation	Lower, rear	Rear	Lower	Lower, rear	Lower	Every angle		
Material	Stainless steel 316 (1.4401) Stainless steel 300 series							
Connection/stem/bulb	304 (1.4301)							
Capillary/armor	Aluminum	Aluminum	Phenolic	Phenolic herm. sealed	304 (1.4301)			
Case								
Window	Instrument glass, optional laminated safety glass or acrylic glass							
Dial	Aluminum, black markings on white background							
Pointer	Aluminum, black, optional red set hand or maximum pointer							
Accuracy	1 % F.S.							
Permissible								
Ambient temperature	-25 ... 70 °C							
Storage temperature	-40 ... 75 °C							
Effect	At mid scale 0,3 % / 10 K							
Protection according EN 60 529/IEC 529	IP54, optional IP65				IP65	IP54, optional IP65		
Mounting	Surface or flush, depending on configuration				Surface	Direct		
Weight [kg]	Consult factory, depending on configuration							
Accessories, options	Thermowells, dual scale, contacts, calibration certificates							

## General dimensions [mm]



mm	B01	B17	B18
A	305	457	610
S	381	533	686
S	MIN		102

Type	Dial	A	AA	B	D	E	F	L	J	M	S	V	PP
600A01	4 1/2"	130	67	56	27	6	41	2	122	13	73		#10-32
600A02	4 1/2"	159					137			124			#10-24
	6"	192					178			165	16		#1/4-20
	8 1/2"	256		57			244			229			
600A03	4 1/2"	148	148		24	137	41	5.5	10	125	5	60	#10-24
	6"	194	194			178	54	7.0	11	164		79	

Type	Dial	A	AA	D	C	D	E	F	L	J	M	V	PP
600A04	4 1/2"	148	154	59	129	25	137	41	5.5	14	148	67	#10-24x7/8
	6"	194	197	60	168	27	178	54	7.0	16	185	89	#1/4-20x7/8
	8 1/2"	260	266		239		244				254	119	#10-24x7/8
600H45	4 1/2"	148	154	86	129	41	137		6.0	25	148	67	#10-24x7/8

## Order information

Type	Case style	Mounting	Bulb style/length	Armor style	Line length	Range	Options		
600A	(01) Stainless steel with bayonet ring	(C01) 4 1/2" surface lower (C11) 4 1/2" flush rear	<b>Bendable extension length with 1/2 NPT male union connection</b>  (B01) 12" (304 mm)  (B17) 18" (457 mm)  (B18) 24" (609 mm)  <b>Plain bulb with rigid extension length</b>  (B03) 13" (336 mm)  <b>Plain bulb with rigid extension and with 1/2 NPT male union connection</b>  (B08) Sliding on bulb or capillary	(A1) Stainless steel spring lock	(L01) 5 ft (1,5 m)	in °C (AY) -200/ 100 °C (BL) -80/ 40 °C (BN) -40/ 80 °C (BS) 0/ 120 °C (BT) 10/ 150 °C (BU) 0/ 300 °C (BW) 0/ 400 °C <sup>1)</sup> (BJ) 200/ 650 °C <sup>1)</sup>	(NH) Tagging wired  (EP) Maximum pointer adjustable  (EQ) Minimum pointer adjustable  (PD) Acrylic glass  (SG) Safety glass  (SH) Red set hand stationary  (EO) Red set hand externally adjustable  (ED) High/low electrical contact  (EE) Dual high electrical contact  (EF) Dual low electrical contact		
	(02) Aluminum hinged ring	(C12) 4 1/2" flush rear (C27) 6" flush rear (C35) 8 1/2" flush rear			(L03) 10 ft (3 m) (L07) 20 ft (6 m) (L09) 30 ft (9 m) (L13) 50 ft (15 m) (L19) 80 ft (24 m)	in °F (AB) -320/ 200 °F (AE) -100/ 100 °F (AG) -40/ 180 °F (AK) 20/ 240 °F (AL) 50/ 300 °F (AN) 50/ 550 °F (AR) 50/ 750 °F <sup>1)</sup> (AT) 400/ 1200 °F <sup>1)</sup>			
	(03) Aluminum threaded ring	(C02) 4 1/2" surface lower (C15) 6" surface lower							
	(04) Phenolic snap ring	(C03) 4 1/2" surface lower (C08) 4 1/2" surface rear (C38) 4 1/2" flush rear (C16) 6" surface lower (C42) 6" flush rear							
600H	(45) Phenolic hermetically sealed	(C60) 4 1/2" surface lower				Dual scales °F/°C (CE) 20/ 240 °F 0/ 120 °C (CF) 50/ 550 °F 0/ 300 °C (DR) 50/ 300 °F 10/ 150 °C (DT) -40/ 180 °F -40/ 80 °C			
600B	(=) Stainless steel with bayonet ring	(=) 4 1/2" direct lower	(01) 6" (152 mm) (02) 9" (228 mm) (03) 12" (304 mm) (04) 15" (381 mm)	(=) not available	(=) not available				

<sup>1)</sup> min. length 9" for type 600B

## How to order

Type	Case style	Mounting	Bulb style/length	Armor style	Line length	Range	Option
600A	01	C01	B01	A1	L01	BS	NH

## Ashcroft Instruments GmbH

Germany  
Max-Planck-Str. 1, D-52499 Baesweiler  
P.O. Box 11 20, D-52490 Baesweiler  
Tel.: +49 (0) 2401 808-0, Fax: +49 (0) 2401 808-125

France  
„206" ZA Le Mandinet Rue des Campanules  
F-77185 Lognes  
Tel.: +33 (0) 1 60 37 25 30, Fax: +33 (0) 1 60 37 25 39

Website: [www.ashcrofteurope.com](http://www.ashcrofteurope.com) e-Mail: [sales@ashcrofteurope.com](mailto:sales@ashcrofteurope.com)

United Kingdom  
Unit 5 William James House  
Cowley Road, Cambridge CB4 0WX  
Tel.: +44 (0) 12 23 39 55 00, Fax: +44 (0) 12 23 39 55 01