

AVAILABLE
FROM STOCK

ASHCROFT®

Ashcroft® Type 1005P and 1005 pressure gauges share the uncompromising reputation for quality and product integrity that is inherent in all Ashcroft instruments. The core of the Type 1005P and 1005 gauge is the patented PowerFlex™ movement. This movement has been thoroughly tested and proven to be more resistant to shock, vibration, and pulsation than conventional movements, thus assuring a more accurate, dependable, long-lasting gauge.

The essence of Ashcroft Type 1005P and 1005 gauges is attractive styling, a technically superior design, durable construction,

economy, and the excellent reputation of Ashcroft gauges for delivery and service.

True Zero™ indication, a unique safety feature standard on these gauges, is the accurate indication of zero pressure being applied to the gauge. In addition to the increased safety benefits, this means reduced inspection and manufacturing costs for you and your customer.

Commerical Gauges Type 1005P, 1005

Commonly used on . . .

- Compressors
- Filter regulators
- Fluid power equipment
- Medical equipment
- Pool and spa filters
- Automotive diagnostic equipment
- Beverage dispensing equipment
- Industrial machinery
- A variety of other applications

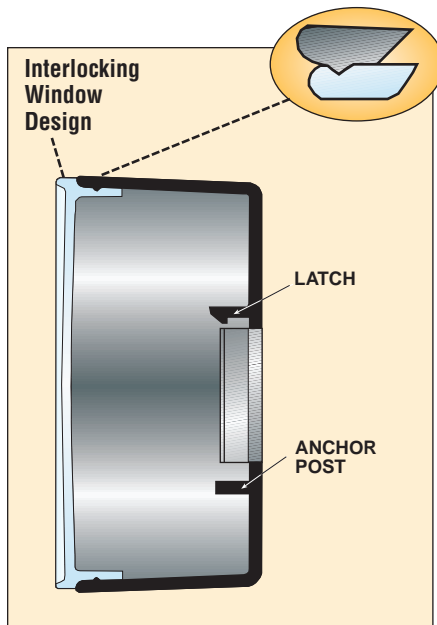


ISO 9001
REGISTERED FIRM

DRESSER INSTRUMENT
BEREA OPERATIONS
BULLETIN CG-15

Type 1005P/1005 Commercial Gauge Benefits and Optional Features

The Ashcroft Type 1005P case material is ABS (Acrylonitrile Butadiene Styrene), a widely used thermoplastic providing superb impact resistance, corrosion resistance, toughness and rigidity. An impact-resistant polycarbonate window was selected to complement the strength of the ABS case. Type 1005P gauges are an excellent choice for applications where the gauge is exposed to adverse environmental conditions. For applications requiring an even higher degree of corrosion resistance, the Type 1005P with an optional aluminum dial is available. This combination is ideal for applications currently specifying a more expensive stainless steel case.



FMEA (Failure Mode Effects Analysis) practices were used in the design of the type 1005P to assure hassle-free use by our customers. The back connection 1005P case utilizes a molded latch and anchor post, while the lower connection version employs a case screw and an anchor post. Both versions incorporate the interlocking case/window design pictured above.

Ashcroft Type 1005 gauges have the added strength of steel. The case material is steel, painted black. This gauge also utilizes the impact-resistant polycarbonate window and offers an extensive selection of dial sizes and connections.

Whether uniquely customized from a long list of available options, or ordered directly from inventory, Ashcroft Type 1005P/1005 covers almost every requirement possible for pressure measurement.

Product Specifications

Ashcroft Case
Type Number: 1005P, 1005

Sizes:	1½", 2", 2½", 3½"
Case:	Type 1005P – Black, ABS Type 1005 – Black painted steel
Window:	Polycarbonate
Dial:	Black figures on white background, steel
Pointer:	Black, aluminum
Bourdon Tube:	C-shaped bronze (Vacuum-600 psi and compound) Helical bronze (1000 psi-6000 psi)
Movement:	Patented PowerFlex with polyester segment
Socket:	Brass
Accuracy:	ASME B40.1, Grade B, ±3-2-3%
Operating Temperature:	–40°F to 150°F –40°C to 65°C

Connections:

TYPE	¼" NPT Lower	¼" NPT Lower	¼" NPT Back	¼" NPT Back
1½" Type 1005P/1005	★	★	★	
2" Type 1005P/1005	★	★	★	★
2½" & 3½" Type 1005P	★	★		
2½" & 3½" Type 1005	★	★	★	★

Ranges:

1½"	Vacuum, 12 psi through 300 psi
2" & 2½"	Vacuum through 6000* psi and Compound
3½"	Vacuum through 600 psi and Compound

* 0.013" orifice throttle plug standard in 1000 psi-6000 psi gauges.

Case

- Case color (other than black)
- Vent hole
- Stainless steel (Type 1005S 1½" and 2" only)

Pointer

- Adjustable
- Min/max assembly

Socket

- Non-standard length or thread
- Throttle plugs – 0.007", 0.013", 0.020", 0.063"
- Nickel plated
- Teflon taped
- Top or side connection

Dials

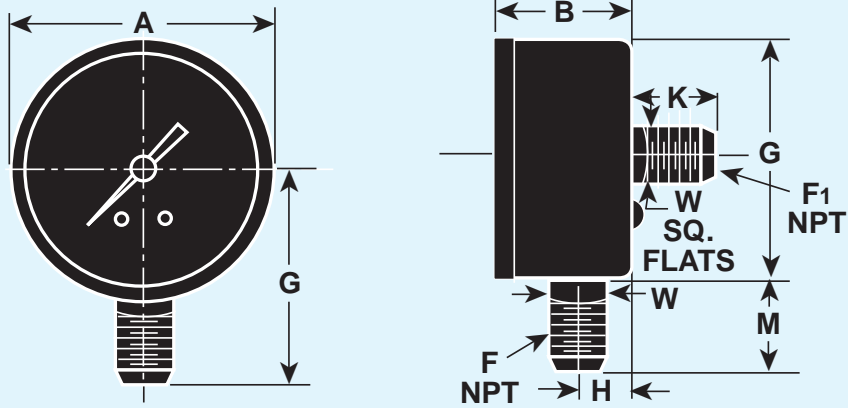
- Customized
- Non-standard ranges
- Receiver ranges – 0/100 linear
0/100 percent
0/10 square root
- Aluminum (for added corrosion resistance)

Others

- UL 404 and UL 252A listing for compressed gas service (excluding oxygen)
- Special calibration on application
- Friction fit ring with glass window (Type 1005)
- Bulk packaging
- Oxygen clean, ASME B40.1, Level IV Cleanliness
- FlutterGuard™ (eliminates rapid pointer flutter on most vibration/pulsation applications)

See price sheet for minimum quantity requirements.

Dimensions



TYPE 1005P

DIAL SIZE inches (mm)	A		B		C	F NPT	F1 NPT	G	H	K	M	W	WEIGHT (ozs)
	LOWER	BACK	LOWER	BACK									
1½"	1.66 (42)	1.64 (42)	1.07 (27)	1.01 (26)	1.60 (41)	⅛ or ¼	⅛	1.41 (36)	0.38 (10)	0.62 (16)	0.62 (16)	0.44 (11)	1.5
2"	2.11 (54)	2.11 (54)	1.07 (27)	1.05 (27)	2.05 (52)	⅛ or ¼	⅛ or ¼	1.85 (47)	0.38 (10)	0.85 (22)	0.82 (21)	0.56 (14)	2.6
2½"	2.74 (70)	—	1.12 (28)	—	2.67 (68)	⅛ or ¼	⅛ or ¼	2.18 (55)	0.38 (10)	—	0.83 (21)	0.56 (14)	3.3
3½"	3.70 (94)	—	1.14 (29)	—	3.62 (92)	⅛ or ¼	⅛ or ¼	2.72 (69)	0.47 (12)	—	0.92 (23)	0.56 (14)	5.4

TYPE 1005, 1005S*

DIAL SIZE inches (mm)	A	B		C	F NPT	F1 NPT	G	H	K	M	W	WEIGHT (ozs)
		LOWER	BACK									
1½"	1.62 (44)	0.86 (22)	0.99 (25)	1.60 (41)	⅛ or ¼	⅛	1.46 (37)	0.28 (7)	0.67 (17)	0.66 (17)	0.44 (11)	2
2"	2.09 (53)	1.04 (26)	1.04 (26)	2.05 (52)	⅛ or ¼	⅛ or ¼	1.85 (47)	0.34 (9)	0.88 (22)	0.82 (21)	0.56 (14)	3.6
2½"	2.73 (69)	1.07 (27)	1.07 (27)	2.68 (68)	⅛ or ¼	⅛ or ¼	2.18 (55)	0.36 (9)	0.88 (22)	0.84 (21)	0.56 (14)	4.5
3½"	3.67 (93)	1.12 (28)	1.12 (28)	3.61 (92)	⅛ or ¼	⅛ or ¼	2.72 (69)	0.43 (11)	0.88 (22)	0.92 (23)	0.56 (14)	6.8

*Type 1005S available in 1½" and 2" only.

How To Order

20 W 1005 P H 01L X(AP) 100#

Dial Size: 2" _____

PowerFlex Movement _____

Case Type Number: 1005 _____

Case Material: ABS _____

Socket Material: Brass _____

Connection Size/Location: ⅛ NPT Lower _____

Option: Adjustable Pointer _____

Range: 100 psi _____

**Instrument Division Sales and
Customer Service Locations**

U.S. Headquarters

Berea, Kentucky

Harrison Road
Berea, KY 40403
Tel: (606) 986-9333
Fax: 1-800-28-BEREA
(1-800-282-3732)
Email: dresser-berea.mkt@dspn.com

U.S. Sales Offices

Chicago, Illinois

400 W. Lake Street
Suite 318
Roselle, IL 60172-3573
Tel: (630) 980-9030
Fax: (630) 980-9440

Houston, Texas

3838 North Sam Houston
Parkway East
Suite 120
Houston, TX 77032
Tel: (281) 590-1092
Fax: (281) 590-7100

Los Angeles, California

3931 MacArthur Blvd.
Suite 202
Newport Beach, CA 92660
Tel: (714) 852-8948
Fax: (714) 852-8971

Hartford, Connecticut

1501 East Main Street
Meriden, CT 06450-2860
Tel: (203) 235-0450
Fax: (203) 235-0593

Mobile, Alabama

851 South Beltline Hwy.
Suite 402, 4th Floor
Mobile, AL 36606
Tel: (334) 473-1692
Fax: (334) 473-1782

International Headquarters

Stratford, Connecticut

250 E. Main Street
Stratford, CT 06497-5145
Tel: (203) 378-8281
Fax: (203) 385-0357

International Operations

Brazil

Dresser Industria e
Comercio Ltda.
Divisao Manometros Willy
Caixa Postal 212
09510 Sao Caetano do Sul
Sao Paulo, Brazil
Tel: 55 -11-453-5477
Fax: 55-11-453-8710

Canada

Dresser Canada, Inc.
2135 Meadowpine Blvd.
Mississauga,
Ontario L5N 6L5
Canada
Tel: 905-826-8411
Fax: 905-826-9106

China

Dresser Trading
Room 3, 24th Floor
CITIC Bldg.
19 Jianguo Menwai St.
Beijing, P.R.C.
Tel: 86-1-6500-3139
Fax: 86-1-6512-0300

France

Dresser Europe S.A.
Division Instrumentation
5, Rue d'Antony
F-94563 Rungis Cedex
Silic 192, France
Tel: 33-01-49-79-22-80
Fax: 33-01-46-86-25-24

Germany

Dresser Europe S.A.
Instrument Division
Postfach 11 20
Max-Planck-Str. 1
D-52499 Baesweiler
Germany
Tel: 49-2401-8080
Fax: 49-2401-7027

Japan

Dresser Japan Ltd.
Room 318, Shin Tokyo Building
3-1 Marunouchi 3-Chome,
Chiyoda-ku, Tokyo, Japan
Tel: 813-3201-1501/1506
Fax: 813-3213-6567/6673

Korea

Dresser International S.A.
Korea Office
#2015 Kuk Dong Bldg.
60-1, 3-KA, Choongmu-Ro,
Chungku, Seoul, Korea 100-705
Tel: 82-2-274-079-2/3
Fax: 82-2-274-0794

Mexico

Dresser Instrument Division
Henry Ford No. 114,
Esq. Foulton, Fracc
Industrial San Nicolas
54030 Tlalneplantla edo
de Mexico 54030
Tel: 525-310-7217
Fax: 525-310-2608

Saudi Arabia

DARVICO
P.O. Box 10145
Jubail Industrial City
Saudi Arabia 31961
Tel: 966-3-341-0278
Fax: 966-3-341-7624

Singapore

Dresser Singapore Pte Ltd.
Instrument Operations
Block 1004 TK.Toa Payoh North
#07-15/17
Singapore 318995
Tel: 65-252-6602
Fax: 65-252-6603

United Kingdom

Dresser U.K. Ltd. Instrument Operation
Rufford Court
Hardwick Grange
Warrington, Cheshire
England WA1 4RF
Tel: 44-1925-814545
Fax: 44-1925-816378

Venezuela

Manufacturas Petroleras
Venezolanas S.A.
Apartado Postal 617
Maracaibo, Venezuela
Tel: 58-61-579-762 or 070
Fax: 58-61-579-461

visit our web site at
www.dresser.com/instruments



All specifications are subject to change without notice.

All sales subject to standard terms and conditions.

© Dresser Instrument Division, 12/97 1P7/92 20MCP R12/97