

Magnetic Differential pressure gauge

Model 1134

Max. static pressure 2,4 bar

Nominal size 4 ½ inch, 114 mm

Accuracy: 2 %

Features

- Stainless steel case
- Protection IP65
- Smooth pointer motion
- Compact design
- Magnetic coupling
- Optional Reed contacts

Ranges

0 ... 25 mmH₂O up to 0 ... 1250 mmH₂O

Applications

Air handling

HVAC

Pharmaceutical Equipment

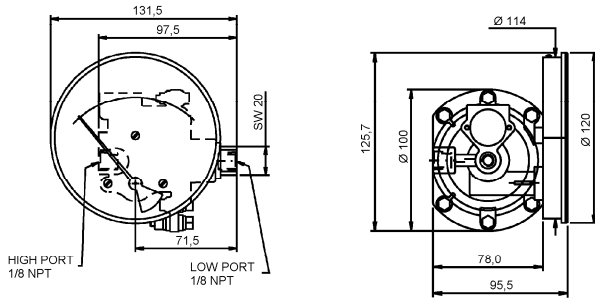
Filters



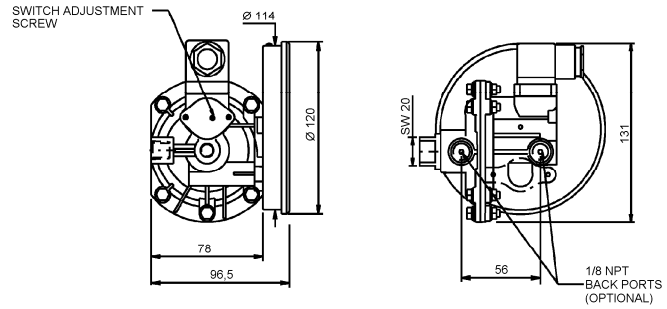
Technical specification	1134
Dial size [mm]	114 (4 ½"), 150 mm flange on request
Construction	Cylindrical case
Measuring principle	Magnetic coupling
Actuator	Convuluted diaphragm
Range [mmH ₂ O]	25 50 75 100 125 150 200 250 375 500 750 1000 1250
[Pa]	250 500 750 1000 1250 1500 2000 2500 3750 5000 7500 10000 12500
[in. H ₂ O]	1 2 3 4 5 6 8 10 15 20 25 30 40 50
Max. static pressure [bar]	2,4 (35 psi)
Pressure type	Differential
Process connection	1/8 NPT female, ¼ NPT male ¹⁾ , G ¼ B male ¹⁾ , G 1/8 B male ¹⁾ ¹⁾ with adapter
Connection location	Back or in-line to select by user during mounting (adapters will be provide to plug unused ports)
Material	
Body, pressure chamber, piston	Engineering polymer, Aluminum
Magnet	Ceramic and Nylon
Diaphragm, seals	Buna-N, optional Silicone
Case/ring	Stainless steel 304 (1.4301), Buna-N
Window	Instrument glass, optional acrylic
Dial	Aluminum, black markings on white background
Pointer	Aluminum, black, optional red set hand adjustable
Accuracy	2 % calibrated ascending
Permissible	
Ambient temperature	0 ... 60 °C
Medium temperature	Max. 60 °C
Storage temperature	0 ... 60 °C
Effect	Max. 0,3 % / 10 K
Protection according EN 60 529/IEC 529	IP65
Mounting	Direct, optional panel, wall or 2" pipe mounting (only for inline connections), others on request
Weight [kg]	0,4
Accessories	
Standard	Two brass adapters for tubing connection (tube 3/16", 4 mm or 6mm), flush mounting kit, two plugs for sealing the unused ports
Options	Manifold valves
Contacts (reed switches) optional	One or 2 SPST independently adjustable (rating 10 VA, 150 VAC or DC, 0,5 A) with DIN plug or one SPDT (rating 5 VA , 175 VAC or DC, 0,25 A) with DIN plug .

General dimensions [mm]

STANDARD DIMENSIONS

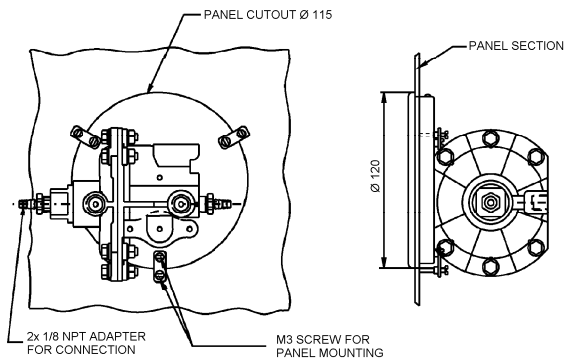


GAUGE+SWITCH WITH REED CONTACTS WITH A DIN PLUG

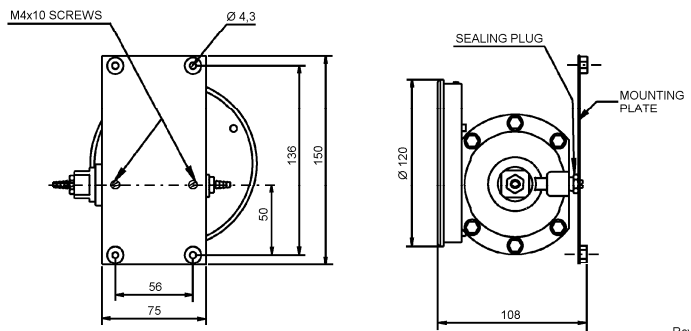


This instrument with its off-center profile can still be easily inserted in a 115 mm panel cutout.

FLUSH MOUNTING DETAIL



SURFACE MOUNTING DETAILS



Rev. A

Order information

Size	Type	System material	Execution	Process connection	Connection orientation	Range	Engineering units	Case/ contacts	Options		
(45) 4 1/2" (114 mm)	1134	(E) Engineering Polymer	(D) IP65 standard case	(RQ) 1/8 NPT female	(M) In-line and back	0/ 25 0/ 50 0/ 75 0/ 100 0/ 125 0/ 150 0/ 200 0/ 250 0/ 375 0/ 500 0/ 750 0/1000 0/1250	MMH2O	(=) Standard no filling, no contact	(NH) Tagging wired		
										(02) 1/4 NPT male ¹⁾	(CS) Dual scale
										(04) 1/2 NPT male ¹⁾	(DA) Dial marking
										(13) G 1/4 B male ¹⁾	(SV) Diaphragm silicone
											(PD) Acrylic window
											(SH) Red set hand
											(BF) Wall mounting bracket
											(TM) 2" pipe mounting
											(FF1) Front flange (150 mm)

¹⁾ with adapter

User has to plug the unused ports with the supplied adapters

in. H₂O, mbar, Pa and others on request

How to order

Size	Type	System material	Execution	Process connection	Connection orientation	Range	Engineering unit	Case/ contacts	Option
45	1134	E	D	RQ	M	0/25	MMH2O	=	NH

Ashcroft Instruments GmbH

Germany
Max-Planck-Str. 1, D-52499 Baesweiler
P.O. Box 11 20, D-52490 Baesweiler
Tel.: +49 (0) 2401 808-0, Fax: +49 (0) 2401 808-125

France
„206“ ZA Le Mandinet Rue des Campanules
F-77185 Lognes
Tel.: +33 (0) 1 60 37 25 30, Fax: +33 (0) 1 60 37 25 39

Website: www.ashcrofteurope.com

e-Mail: sales@ashcrofteurope.com

United Kingdom
Unit 5 William James House
Cowley Road, Cambridge CB4 0WX
Tel.: +44 (0) 12 23 39 55 00, Fax: +44 (0) 12 23 39 55 01