

Industrial and general service gauges

Model 1009 and 1320

According ASME B40.1

Nominal size 2 ½, 3 ½, 4 ½, 6 inch and 100 mm

Accuracy: Grade 1A (1 %)

Features

- Rugged construction
- Protection IP54 or IP65
- Overload protection 130 %
- Dry, liquid filled or liquid less (*PLUS!* gauge)
- Measuring system stainless steel or Monel

Ranges

-1 ... 0 bar up to 0 ... 1600 bar

-30 in. Hg ... 0 psi up to 0 ... 30.000 psi

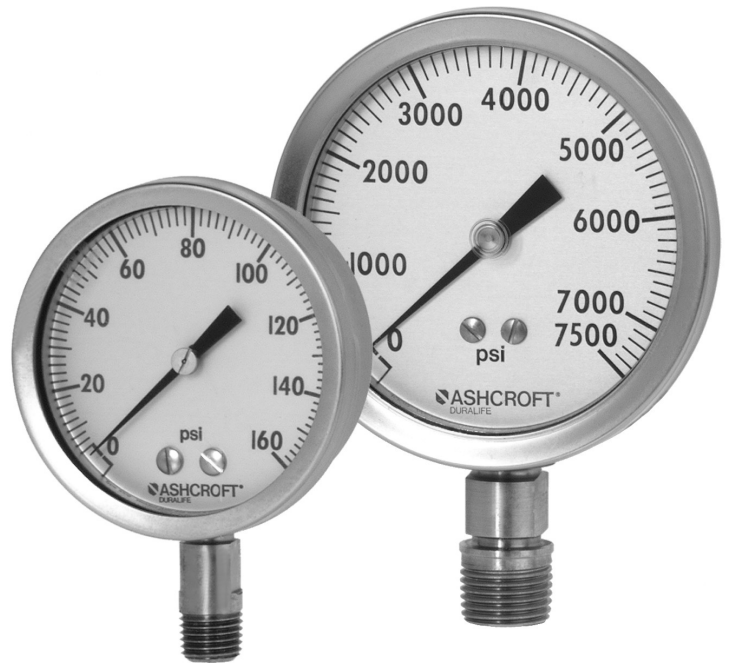
Applications

Chemical and petrochemical industry

Machine and apparatus construction

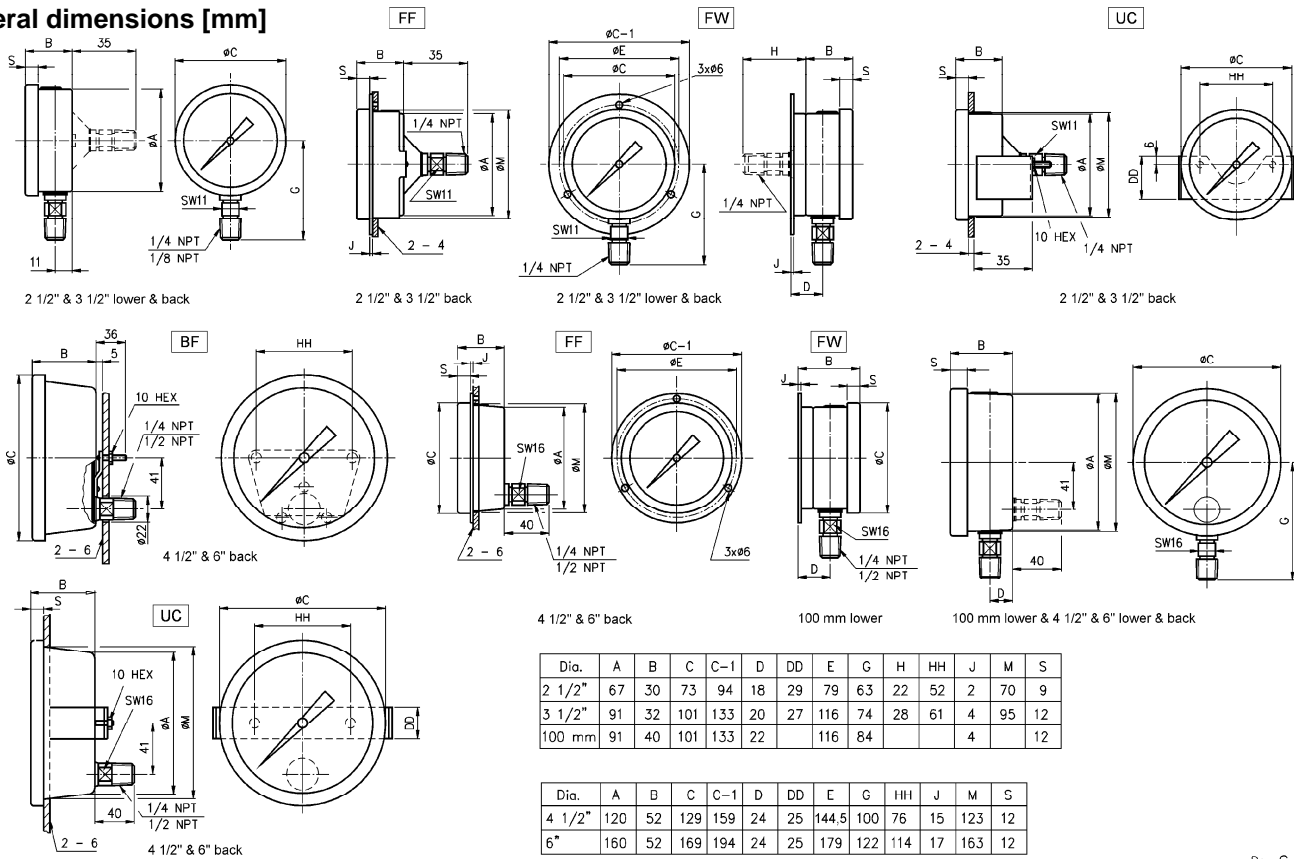
Food and beverage industry

Pulp and paper industry



Technical specification	1009			1009 & 1320	
	2 ½	3 ½	100 mm	4 ½	6
Construction	Open front with bayonet ring				
Measuring principle	Bourdon tube with spring suspended movement			Bourdon tube	
Range [bar]	1 1,6 2,5 4 6 10 16 25 40 60	100 160 250 400	600 1000 1600 ¹⁾	¹⁾ not for dial size < 4 ½"	
Overpressure limit	-1/0 -1/0,6 -1/1,5 -1/3 -1/5 -1/9				
Pressure type	130 % F.S., short time				
Process connection	Gauge, vacuum and compound				
Connection location	¼ NPT male, ½ NPT male according ANSI/ASME B1.20.1 (not for 2 ½" and 3 ½" back connection)			G ¼ B male, G ½ B male, M20x1,5, R ½ male tapered (DIN 2999) (metric connection not for brass socket)	
Material	9/16-18 UNF-2B Aminco, others on request				
Connection location	Lower, back			Lower, back	
Material	Lower, back				
Pressure connection	Bronze or stainless steel 316 (1.4401)			316 (1.4401) Brass, stainless steel 316 (1.4401) or Monel	
Tube	Stainless steel 316 (1.4401)			316 (1.4401) Bronze, stainless steel 316 (1.4401) or Monel (Monel not for dial size 6")	
Case/ring	Stainless steel 304 (1.4301) polished				
Window	Polycarbonate, optional instrument glass or laminated safety glass			Instrument glass, optional laminated safety glass or acrylic glass	
Dial	Aluminum, black markings on white background				
Pointer	Aluminum, black, friction adjustable, red set hand on request			Aluminum, black, micrometer adjustment, red set hand, minimum or maximum pointer on request	
Movement	Stainless steel			Stainless steel 400 series	
Accuracy	Grade 1A (1 % F.S.)			Grade 1A (1 % F.S.), 0,5 % for type 1320	
Permissible	Grade 1A (1 % F.S.)				
Ambient temperature	-25 ... 60 °C, liquid filled -45 ... 120 °C				
Medium temperature	max. 120 °C				
Storage temperature	-40 ... 65 °C				
Effect	Max. 0,3 % / 10 K				
Protection according EN 60 529/IEC 529	IP54 (dry), IP65 (liquid filled), optional IP65 for dry gauges				
Filling liquids	Glycerin, silicone, halocarbon, others on request				
Mounting	Optional dampened movement (liquid less gauge), functions as liquid filled gauge (<i>PLUS!</i> gauge)				
Mounting	Standard stem, optional flush or surface				
Weight dry/filled [kg]	0,12/0,23	0,2/0,4	0,45/0,7	0,8/1,2	1,0/1,6
Accessories, options	Diaphragm seals, valves, NACE				

General dimensions [mm]



Rev. C

Order information

Size	System material	Execution	Process connection	Connection orientation	Range	Engineering units	Filling	Options
(25) 2 1/2" (63 mm)	(AW) 316 (1.4401) tube, bronze socket	(=) Standard IP54	(04) 1/2 NPT male ¹⁾ (not for dial size 2 1/2")	(L) Lower (B) Back	-1/ 0 -1/ 1,5 -1/ 3 -1/ 5 -1/ 9	(BAR)	(=) Standard no filling (GV) Silicone (GR) Glycerin (GX) Halo-carbon	(NH) Tagging wired (TX) Throttle screw stainless steel (not for process connection 09) (6B) Oxygen cleaned (MG) NG 100 (for size code 35) (PD) Acrylic glass (SG) Safety glass (SH) Red set hand stationary (EP) Maximum pointer, adjustable (not for dial size 2 1/2" and 3 1/2") (FF) Front flange (FW) Back flange (only for dial size < 4 1/2") (BF) Wall mounted bracket (only for dial size ≥ 4 1/2") (LJ) Field fillable (only for execution "=", IP65) (LL) Liquid less gauges (Halocarbon filling not allowed)
(35) 3 1/2" (90 mm)	(SW) 316 (1.4401) (max. 1000 bar)	(L) Liquid filled IP65	(02) 1/4 NPT male ¹⁾ (09) 9/16-18 UNF-2B Aminco (not for dial size 2 1/2") (13) G 1/4 B male ^{1) 2)} (15) G 1/2 B male ^{1) 3)} (16) M20x1,5 male ^{1) 4)}	(L) Lower (B) Back	0/ 1 0/ 1,6 0/ 2,5 0/ 4 0/ 6 0/ 10 0/ 16 0/ 25 0/ 40 0/ 60 0/ 100 0/ 160 0/ 250 0/ 400 0/ 600 0/1000 0/1600 ¹⁾			
(10) 100 mm	(SW) 316 (1.4401) (max. 1000 bar)							
(45) 4 1/2" (115 mm)	(A) Bronze tube, brass socket (max. 60 bar)			(L) Lower (B) Back				
(60) 6" (150 mm)	(S) 316 (1.4401) (max. 1400 bar) (P) Monel (only dial size 4 1/2")		(KQ) R 1/2 male tapered DIN 2999 ^{1) 3)}					
					¹⁾ not for dial size < 4 1/2" ²⁾ max. 1000 bar ³⁾ not for dial size 2 1/2" and 3 1/2" and all brass connections ⁴⁾ only for dial size 4 1/2", but not for brass connection		psi and others on request	

How to order

Size	Type	System material	Execution	Process connection	Connection orientation	Range	Engineering unit	Filling	Option
25	1009	S	L	02	L	0/16	BAR	GR	NH

Ashcroft Instruments GmbH

Germany
Max-Planck-Str. 1, D-52499 Baesweiler
P.O. Box 11 20, D-52490 Baesweiler
Tel.: +49 (0) 2401 808-0, Fax: +49 (0) 2401 808-125

France
„206“ ZA Le Mandinet Rue des Campanules
F-77185 Lognes
Tel.: +33 (0) 1 60 37 25 30, Fax: +33 (0) 1 60 37 25 39

Website: www.ashcrofteurope.com

e-Mail: sales@ashcrofteurope.com

United Kingdom
Unit 5 William James House
Cowley Road, Cambridge CB4 0WX
Tel.: +44 (0) 12 23 39 55 00, Fax: +44 (0) 12 23 39 55 01