

Industrial stainless steel case gauges

Model 1008

According ASME B40.1

Nominal size 40 mm, 50 mm, 63 mm and 100 mm

Accuracy: Grade B (3-2-3 %), optional 1,6 % F.S.

Features

- Rugged construction
- Protection IP54 and IP65
- Overload protection 130 %
- Dry or liquid filled
- Measuring system brass or stainless steel

Ranges

-1 ... 0 bar up to 0 ... 1000 bar

-30 in. Hg ... 0 psi up to 0 ... 15.000 psi

Applications

Chemical and petrochemical industry

Machine and apparatus construction

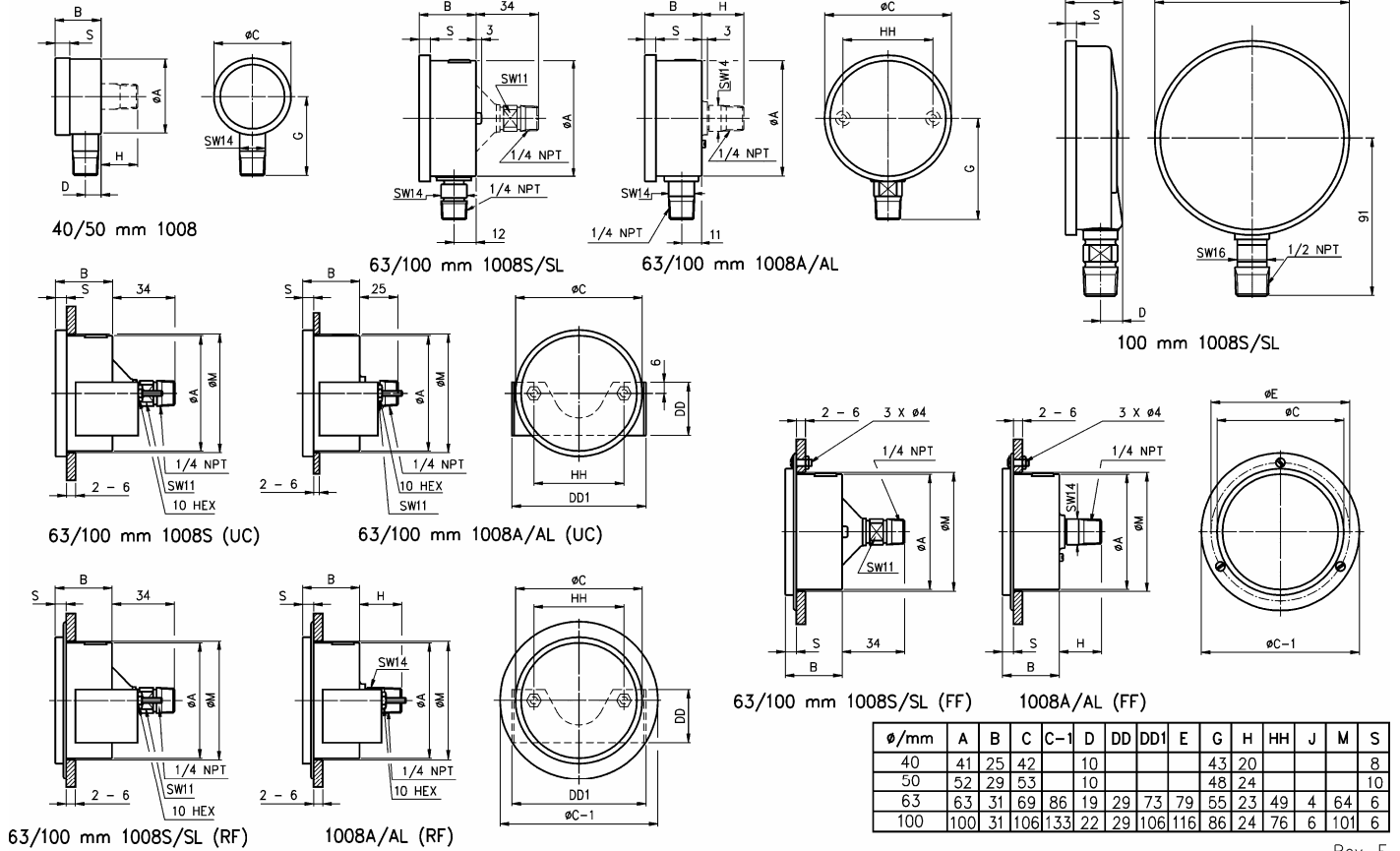
Food and beverage industry

Pulp and paper industry



Technical specification	1008			
	40	50	63	100
Dial size [mm]				
Construction	Open front with push-in ring		Open front with crimped ring	
Measuring principle	Bourdon tube with conventional movement		Bourdon tube with power flex movement, welded (S) or soldered (A) socket to case	
Range [bar]	1 -1/0	1,6 -1/1,5	2,5 -1/3	4 -1/5
	6	10	16	25
				40
				60
				100
				160
				250
Overpressure limit	130 % F.S., short time			
Pressure type	Gauge, vacuum and compound			
Process connection	1/8 NPT male (standard for 40 mm), 1/4 NPT male (standard for 50 mm) according ANSI/ASME B1.20.1		1/8 NPT male according ANSI/ASME B1.20.1	
	G 1/8 B male, G 1/4 B male		G 1/2 B male, only lower, Others on request	
Connection location	Lower, back			
Material	Stainless steel 316 (1.4401)		Brass, Stainless steel 316 (1.4401)	
Pressure connection	Stainless steel 316 (1.4401)		Bronze, Stainless steel 316 (1.4401)	
Tube	Stainless steel 304 (1.4301)		Polycarbonate	
Case/ring	Instrument glass		Aluminum, black, friction adjustable	
Window	Aluminum, black markings on white background		Stainless steel series 400	
Dial	Aluminum, black		Stainless steel series 300	
Pointer	Stainless steel series 300			
Movement				
Accuracy	Grade B (3-2-3 % F.S.)		Grade B (3-2-3 % F.S.), optional 1,6 %	
Permissible	-25 ... 60 °C, liquid filled -45 ... 120 °C			
Ambient temperature	Max. 120 °C			
Medium temperature	-40 ... 65 °C			
Storage temperature	Max. 0,3 % / 10 K			
Effect	IP54 (dry), IP65 (liquid filled), optional IP65 for dry gauges and field fillable			
Protection according EN 60 529/IEC 529	Glycerin, silicone, halocarbon, others on request			
Filling liquids	Optional dampened movement (liquid less gauge), functions as liquid filled gauge (PLUS! gauge)			
Mounting	Stem, optional flush			
Weight dry/filled [kg]	0,08/0,1	0,12/0,17	0,11/0,21	0,18/0,42
Accessories, options	Diaphragm seals, valves			

General dimensions [mm]



Rev. E

Order information

Size	System material	Execution	Process connection	Connection orientation	Range	Engineering units	Filling liquid	Options
(40) 40 mm	(A) Bronze tube, brass socket (max. 400 bar, not for dial size ≤ 50 mm)	(=) Standard IP54	(04) ½ NPT male (only for dial size 100 mm, lower)	(L) Lower	-1/ 0	(BAR)	(=) standard no filling	(NH) Tagging wired
(50) 50 mm	(S) 316 (1.4401)	(L) liquid filled IP65	(01) 1/8 NPT male (standard for dial size 40 mm)	(B) Back	-1/ 1,5		(GV) Silicone	(TU) Throttle plug
(63) 63 mm		(02) ¼ NPT male (standard for dial size 50 mm)		-1/ 3	(GR) Glycerin		(DA) Dial marking	
(100) 100 mm			(13) G ¼ B male		-1/ 5		(GX) Halocarbon (not for dial size ≤ 50 mm)	(6B) Oxygen cleaned
			(15) G ½ B male (only for dial size 100 mm, lower)		-1/ 9			(UC) U-clamp
					0/ 1			(RF) Retrofit flange + U-clamp (not for dial size ≤ 50 mm)
					0/ 1,6			(FF) Front flange
					0/ 2,5			(LJ) Field fillable
					0/ 4			(LL) Liquid less gauges (only for dial size 63 mm and 100 mm, Halocarbon filling not allowed)
					0/ 6			
					0/ 10			
					0/ 16			
					0/ 25			
					0/ 40			
					0/ 60			
					0/ 100			
					0/ 160			
					0/ 250			
					0/ 400 ¹⁾			
					0/ 600 ^{1) 2)}			
					0/ 1000 ^{1) 2)}			
					¹⁾ not for dial size ≤ 50 mm			
					¹⁾ not for bronze tube	psi and others on request		

How to order

Size	Type	System material	Execution	Process connection	Connection orientation	Range	Engineering unit	Filling liquid	Option
63	1008	S	=	02	L	0/16	BAR	=	NH

Ashcroft Instruments GmbH

Germany
Max-Planck-Str. 1, D-52499 Baesweiler
P.O. Box 11 20, D-52490 Baesweiler
Tel.: +49 (0) 2401 808-0, Fax: +49 (0) 2401 808-125

France
„206“ ZA Le Mandinet Rue des Campanules
F-77185 Lognes
Tel.: +33 (0) 1 60 37 25 30, Fax: +33 (0) 1 60 37 25 39

Website: www.ashcrofteurope.com

e-Mail: sales@ashcrofteurope.com

United Kingdom
Unit 5 William James House
Cowley Road, Cambridge CB4 0WX
Tel.: +44 (0) 12 23 39 55 00, Fax: +44 (0) 12 23 39 55 01